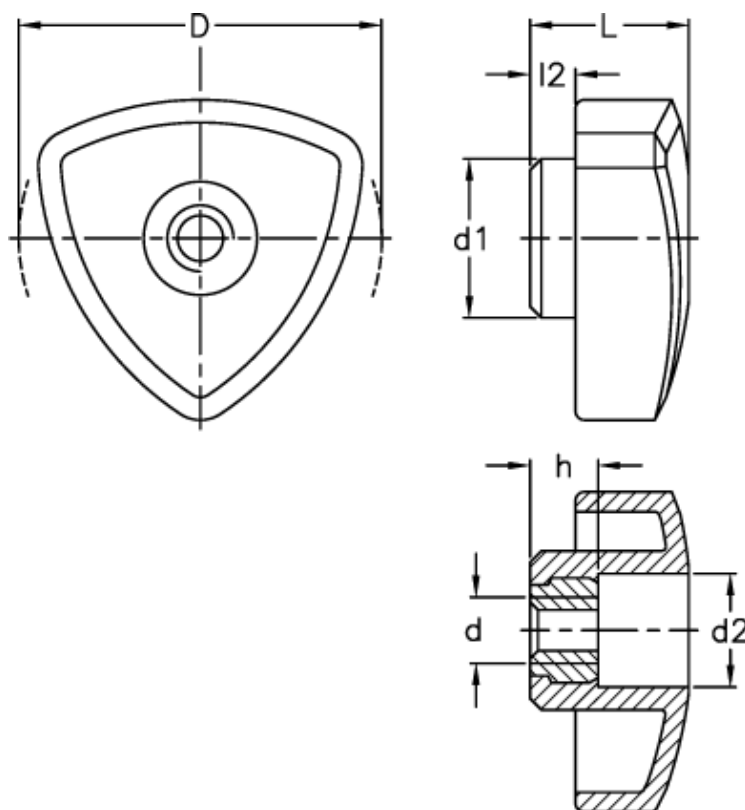


Article number: 2302083821

Description: E+G Lock knob
VTR.50 FP-M8

Measures



d	= 50
d_1	= 19
d_2	= 16
d_6H	= M8
h	= 10
L	= 22
l_2	= 6